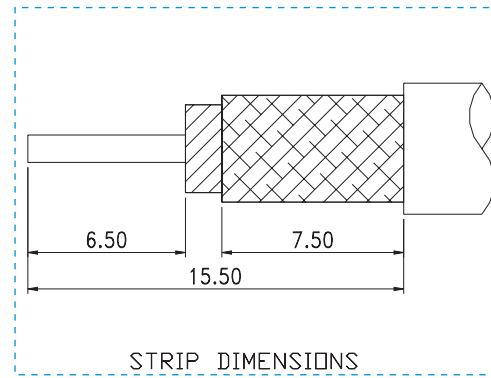
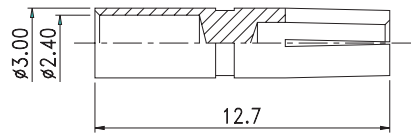


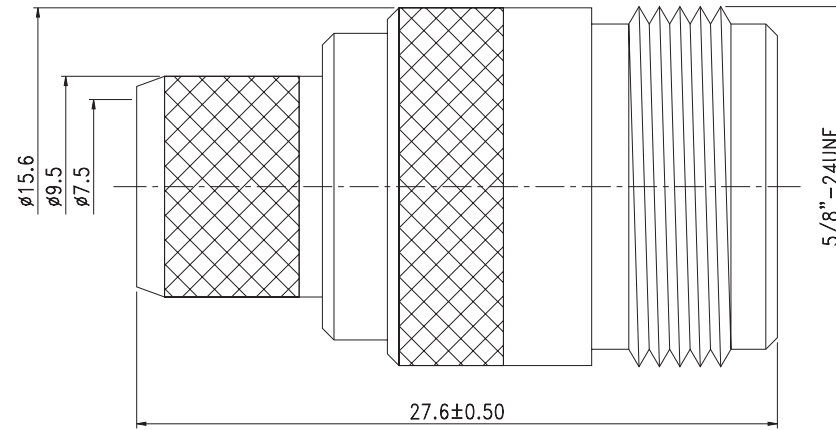
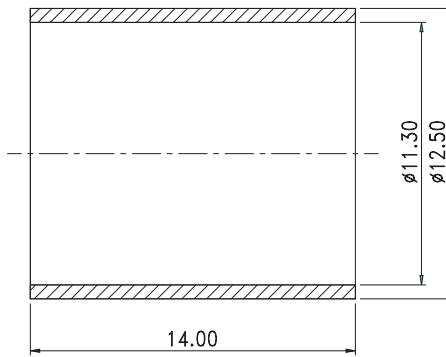
REVISION

REV	DATE	DESCRIPTION
A	9/03/20	INITIAL

3 PIN



5 FERRULE



NO.	DESCRIPTION	MATERIAL	Q'TY	FINISH
5	FERRULE	BRASS	1	NICKEL
4	INSULATION	TEFLON	1	NONE
3	PIN	BRASS	1	GOLD
2	BARREL	BRASS	1	NICKEL
1	BODY	BRASS	1	NICKEL

UNITS	SCALE	SIZE	TOLERANCE	DRAWN BY:	CHECKED BY:	CAD FILE
[in] mm	NTS	A	.X +/- 0.2 .XX +/- 0.1 .XXX +/- 0.05 ANGLE +/- 0.5			11-14C-2-TGN
SHEET 1 OF 1			PROPRIETARY AND CONFIDENTIAL THE INFORMATION IN THIS DRAWING IS THE SOLE PROPERTY OF TCC INDUSTRIES INC. ANY REPRODUCTION IN PARTS OR AS A WHOLE WITHOUT THE WRITTEN PERMISSION OF TCC INDUSTRIES INC. IS PROHIBITED.			

DESCRIPTION
N-Type, Jack/Female Cable Crimp, Straight for TCC Cable Group C



TCC INDUSTRIES INC.

7050 Village Drive unit E, Buena Park, CA 90621-2282
 Tel. 714.523.8885 - FAX. 714.562.0888
 E-Mail: info@tccinc.com Website: www.tccinc.com